



A&L

WINDOWS | DOORS

INSTALLATION INSTRUCTIONS FOR A&L PRODUCTS

AUGUST 2017

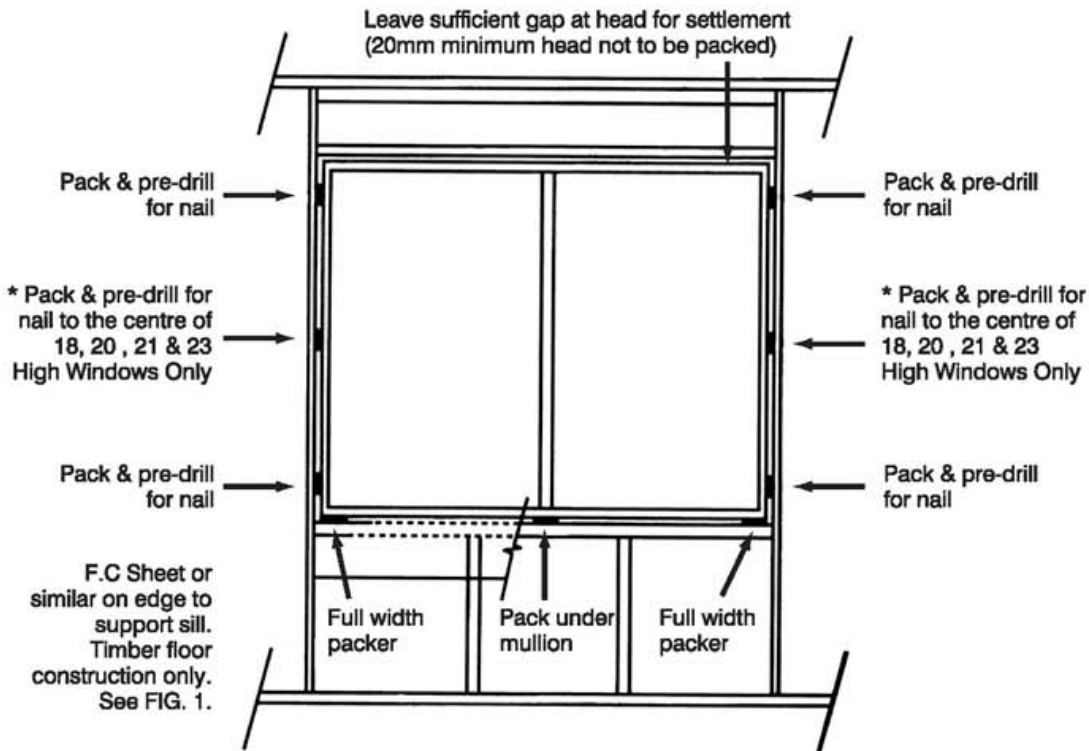
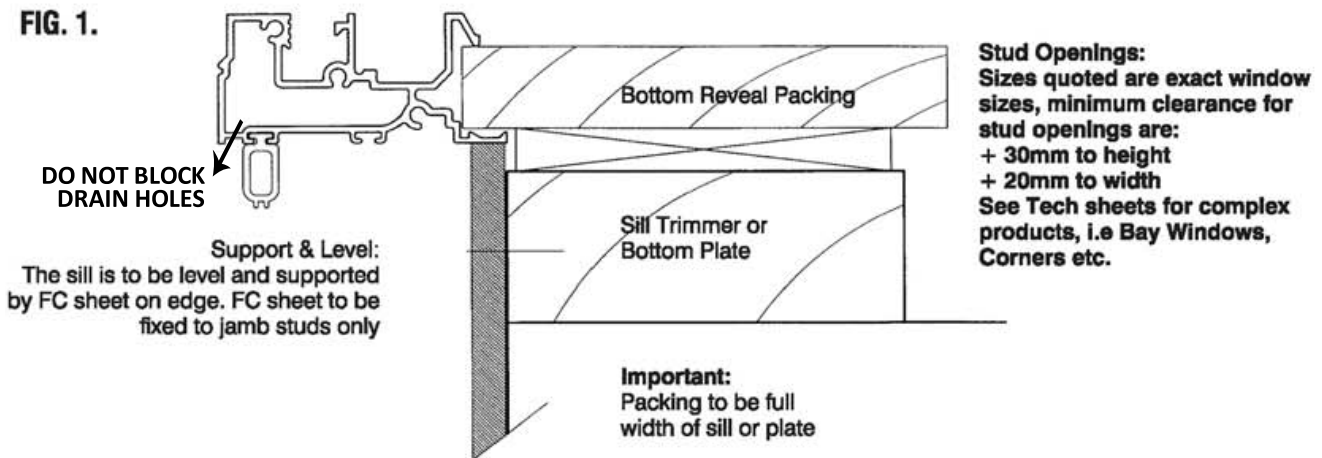


FIG. 1.



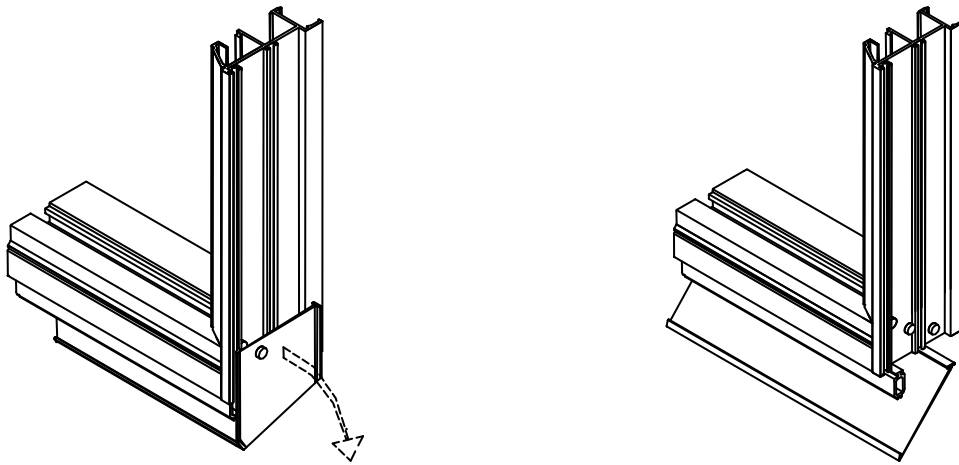
WINDOWS & DOORS... ATTENTION ALL TRADES!

Do not remove the plastic wrapping on windows and doors until home is complete.

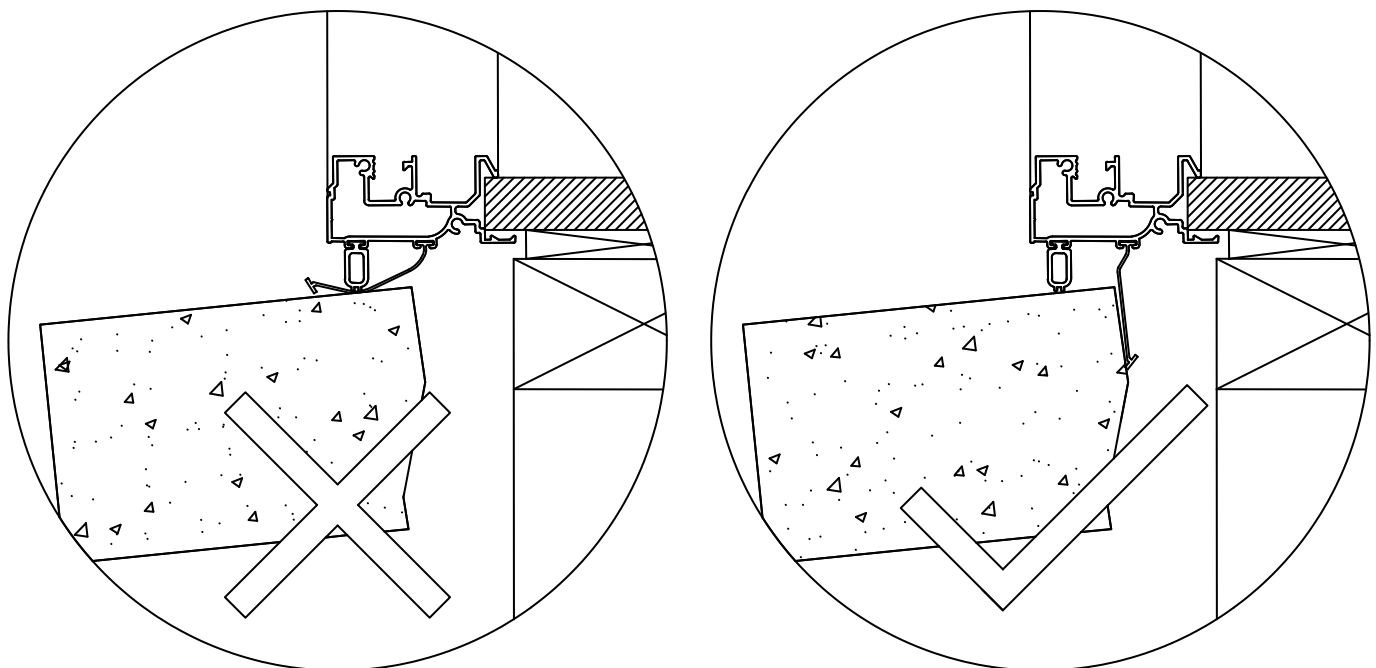
The windows and doors in this home have been supplied in good condition and your builder expects them to be in the same condition upon completion. If you see any damage, especially to the paint or glass on any window or door, please contact your building supervisor immediately.

<p>Carpenter Do pre-drill before nailing - this will prevent splitting.</p>	<p>Bricklayer Don't allow mortar and render to get onto windows and doors - keep tracks clear. Do wash off immediately if contact is made, do not use cloths or brushes.</p>
<p>Plasterer Don't drag plaster over window transoms or door sills as this damages the powdercoat paintwork.</p>	<p>All Trades Don't pull electric cords or building materials through windows or doors.</p>
<p>Painter Don't paint over winder or remove winder.</p>	<p>Cleaner Do wash surfaces gently using clean cloths and clean water.</p>

NOTE: Your Builder will hold the last trade responsible for any damage.



Allow Vinyl Flap To Hang Down Loosely.

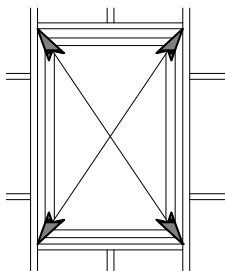


Cross-Section of Sliding Window in Brick Veneer Wall.

NOTE: This MUST Be Done Before Brickwork Goes Up.

AWNING SASH

INSTALLATION GUIDE



Step 1 BEFORE INSTALLING SASH

Measure the diagonals of the awning window with a measuring tape. It is important for the correct operation of this product, that the tolerance does not exceed 4mm.



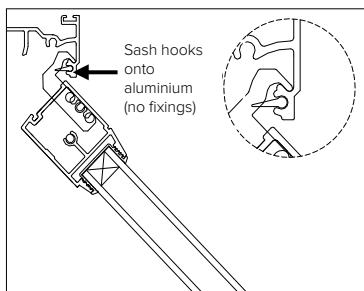
Step 2 ORIENTATE SASH

The Sash must be installed from the outside face of the window. Make sure that the sash hooks (highlighted in picture) are located at the top of the sash and pointing outside.



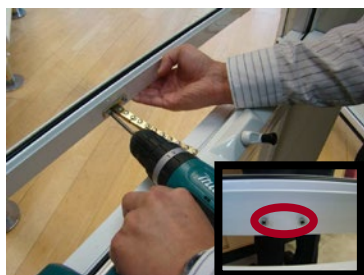
Step 3 POSITION SASH IN OPENING

Angle the sash at 45° and lift the sash into position.



Step 4 HOOK IN SASH

Hook the sash into the Head/Transom (indicated in diagram). Make sure that the sash is properly hooked in, before gently lowering the sash and closing the opening.



Step 5 FIX WINDER TO SASH

Hook the winder over the two screws on the sash (indicated in inset). Secure the winder to the sash with Phillips Head screwdriver. It may be easier to fix the screws if the winder is first removed from the window frame (to improve access to screws).

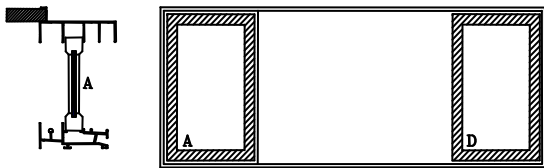
PLEASE NOTE: The Sash must be fitted prior to nailing window in place on any **Second Story**.

SLIDING DOOR & BI-PARTING DOOR PANEL

INSTALLATION GUIDE



Detail 1



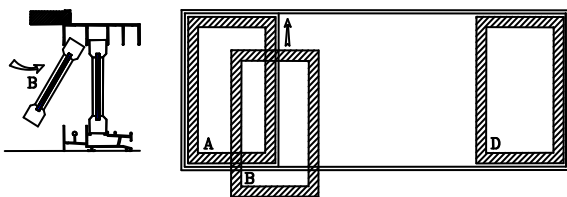
Step 1

Fix the door frame into the studwork making sure it is square and plumb.

Step 2

Panel 'A' and 'D' are factory fitted and should already be secured into position.

Detail 2



Step 3

Remove bubble wrap from panel 'B' (with handle).

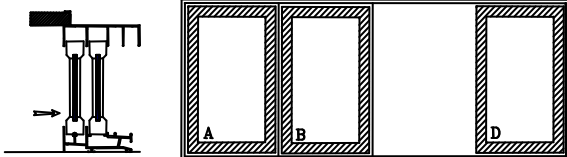
Step 4

The panel needs to be inserted as per detail 2.

Step 5

Holding panel 'B' on an approximate 60° angle, insert the top into the second track and lift it up as high as possible.

Detail 3



Step 6

Push the bottom of the panel across and lower into the track as per detail 3.

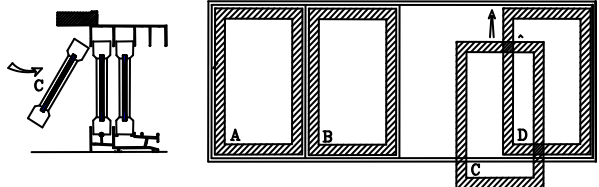
Step 7

If you have trouble getting the panel in, remove and adjust the rollers as set out below.

Step 8

Once you have the panel in, adjust the rollers back up so it doesn't scrape on the sill.

Detail 4



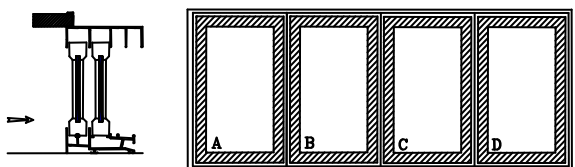
Step 9

Repeat the process for panel 'C' as per detail 4. Panel 'C' has no handle attached.

Step 10

Adjust both panels and ensure they close plumb against each other and the jamb. The keeper for the lock is self adjusting.

Detail 5



Panel 'A' – Fixed panel already installed in frame.

Panel 'B' – Panel with the handle on it.
(Large handle faces into the building.)

Panel 'C' – Panel with keeper fitted.

Panel 'D' – Fixed panel already installed in frame.

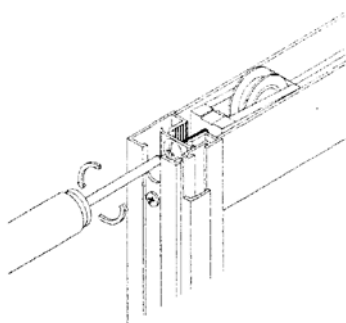
Roller Adjustment

You may have to adjust the height of the roller so it clears the bottom sill before you install the panel. Follow the steps below to do so:

- To raise the roller, adjust the screw anti-clockwise
- To lower the roller, adjust the screw clockwise

Once you have the panel installed:

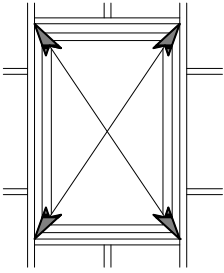
- To raise the door, adjust the screw clockwise
- To lower the door, adjust the screw anti-clockwise



BOTTOM OF DOOR, UPENDED

BOUTIQUE SASH

INSTALLATION GUIDE



Step 1 BEFORE INSTALLING SASH

Measure the diagonals of the boutique window with a measuring tape. It is important for the correct operation of this product, that the tolerance does not exceed 4mm.



Step 2 UN-SNAP BEAD

Un-snap the aluminium bead under the Head/Transom of the window frame (indicated by arrow). Gently insert a Flat screwdriver above the bead and lever it away from the Head/Transom.



Step 3 REMOVE BEAD

Once the bead is un-snapped, remove the bead from the window frame.



Step 4 ORIENTATE SASH

The Sash must be installed from the outside face of the window. Make sure that the sash hooks (highlighted in picture) are located at the top of the sash and pointing outside.

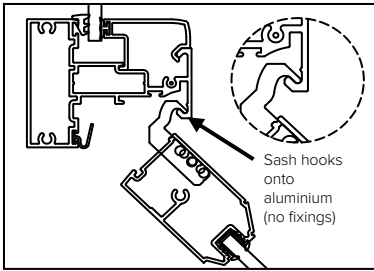


Step 5 POSITION SASH IN OPENING

Angle the sash at 45° and lift the sash into position.

BOUTIQUE SASH (CONT.)

INSTALLATION GUIDE



Step 6 HOOK IN SASH

Hook the sash into the Head/Transom (indicated in diagram). Make sure that the sash is properly hooked in, before gently lowering the sash and closing the opening.



Step 7 ATTACH WINDER TO SASH

Hook the winder over the two screws on the sash.



Step 8 FIX WINDER TO SASH

Secure the winder to the sash with Phillips Head screwdriver. It may be easier to fix the screws if the winder is first removed from the window frame (to improve access to screws).



Step 9 SNAP IN BEAD

Wind the sash closed and ensure that it seals correctly. Position the bead back into the Head/Transom of the window frame and snap into position.

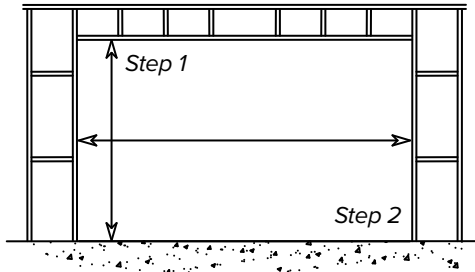
PLEASE NOTE: The Sash must be fitted prior to nailing window in place on any **Second Story**.

ENTERTAINER & BI-PARTING SLIDING DOOR

INSTALLATION GUIDE



PLEASE NOTE: Installation of A&L Entertainer and Bi-Parting Sliding Doors as per these instructions is vital for smooth operation for the life of the product. Incorrect installation can severely affect product performance.



Step 1

Measure the frame opening to ensure that there is sufficient room for the product and additional packing.

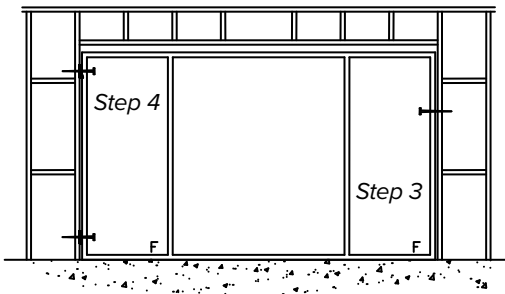
Stud opening:

Height = O/A reveal size + 30mm

Width = O/A reveal size + 20mm

Step 2

It is important that the door sill has a level platform to sit on. Ensure the sill is packed flat and level. This will prevent twist and movement when the door is being operated.



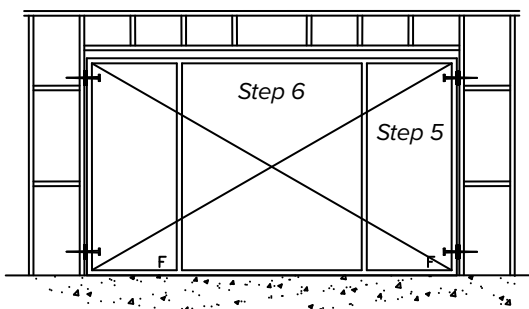
Step 3

Present the door frame to the opening and stand up into place. Temporarily tack the top corner of one jamb reveal into place to hold frame.

Note: The jambs are to be packed and fixed 150mm from the top and bottom and in the middle of both jamb reveals. The fixing hole must be pre-drilled through the reveal and packer to prevent cracking or splitting of the reveal material.

Step 4

Ensure the opposite jamb is plumb and level. Temporarily fix the top and bottom of the reveal into the frame.

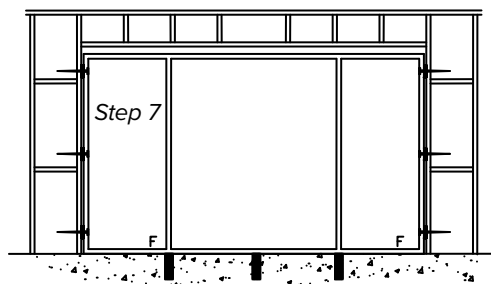


Step 5

Repeat the process for the jamb temporarily tacked in, ensuring it is plumb and level.

Step 6

Before fixing in the centre of both jambs and nailing it home, check the diagonal dimensions of the aluminium frame. A tolerance of 3mm is acceptable. If they are more than 4mm, re-check the jambs for plumb and adjust packing as required.

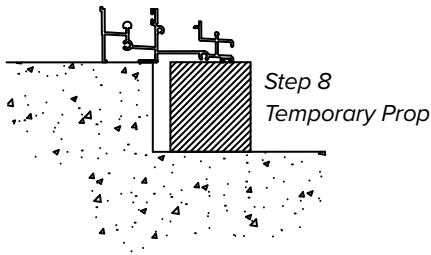


Step 7

Nail home top and bottom and fix in the centre of both jambs.

ENTERTAINER & BI-PARTING SLIDING DOOR (.CONT)

INSTALLATION GUIDE



Step 8

The sliding doors are only supported on the back edge of the sill (until the sill bricks go in). We suggest to prop the sill in 3 points as there is a chance that when walked on during construction, that the sill can roll forward. The props are to be removed when the sill bricks are laid.

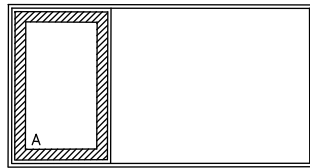
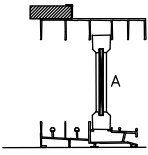
By following this installation guide, you will ensure proper operation of fly doors and barrier doors when fitted. A&L may be unable to provide a warranty on this product if it is deemed that it has not been installed as per these instructions. Please contact A&L Windows if you require further assistance.

ENTERTAINER DOOR PANEL

INSTALLATION GUIDE



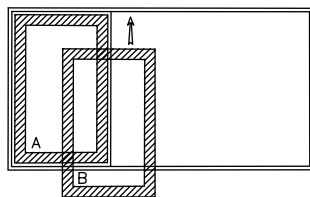
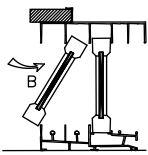
Detail 1



Step 1

Fix the door frame into the studwork making sure it is square and plumb.

Detail 2



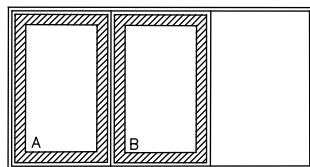
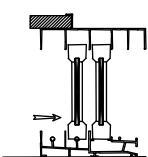
Step 2

Remove bubble wrap from panel 'B'

Step 3

The panel needs to be inserted as per detail 2.

Detail 3



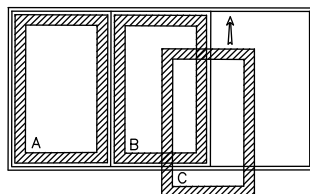
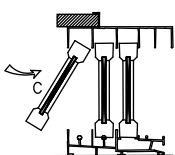
Step 4

Holding panel 'B' on an approximate 60° angle, insert the top into the second track and lift it up as high as possible

Step 5

Push the bottom of the panel across and lower into the track as per detail 3.

Detail 4



Step 6

If you have trouble getting the panel in, remove and adjust the rollers as set out below

Step 7

Once you have the panel in, adjust the rollers back up so it doesn't scrape on the sill

Step 8

Repeat the process for panel 'C' as per detail 4.

Step 9

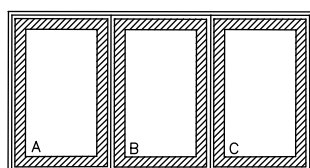
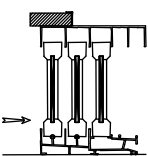
Adjust both panels and ensure they close plumb against each other and the jamb. The keeper for the lock as it is self adjusting.

Panel 'A' – Fixed panel already installed in frame.

Panel 'B' – Panel with only rollers on the sill

Panel 'C' – Panel with the handle on it
(Large handle faces into the building)

Detail 5



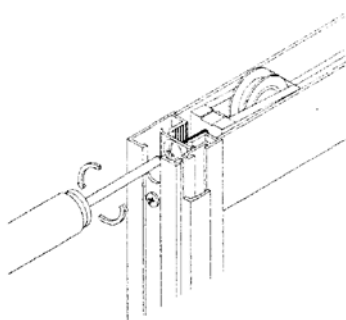
Roller Adjustment

You may have to adjust the height of the roller so it clears the bottom sill before you install the panel. Follow the steps below to do so:

- To raise the roller, adjust the screw anti-clockwise
- To lower the roller, adjust the screw clockwise

Once you have the panel installed:

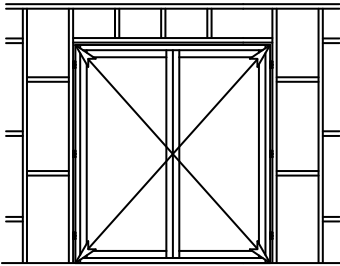
- To raise the door, adjust the screw clockwise
- To lower the door, adjust the screw anti-clockwise



BOTTOM OF DOOR, UPENDED

FRENCH DOOR

INSTALLATION GUIDE



Step 1 BEFORE INSTALLING SASH

Measure the diagonals of the awning window with a measuring tape. It is important for the correct operation of this product, that the tolerance does not exceed 4mm.



Step 2 ORIENTATE SASH

Identify the hinge knuckle on the panel. Make sure that the hole in the knuckle (indicated in inset), is pointing down. The hinge knuckle has a matching half fixed to the door frame. Ensure that the plastic 'C' Clip is threaded onto the pin prior to panel fitment.



Step 3 POSITION PANEL

Sit the panel perpendicular to the door frame. This will ensure that the panel does not strike the head of the door frame when the panel is lifted up. The hinge knuckles should be facing each other (as indicated in the picture).



Step 4 LIFT PANEL INTO POSITION

Lift the panel up and into position. Try to keep the panel as vertical as possible.



Step 5 LINE UP HINGES

Locate the panel so that the panel hinge knuckles are positioned directly above the frame hinge knuckle pins. Make sure that all the hinges are lined up correctly.

FRENCH DOOR (CONT.)

INSTALLATION GUIDE



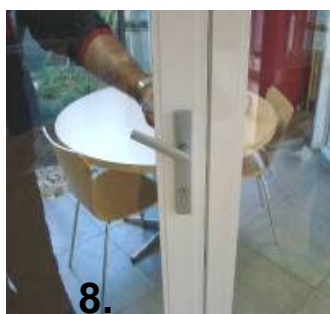
Step 6 LOWER PANEL ONTO HINGES

Lower the panel, making sure that the hole in the hinge knuckles have threaded onto pins.



Step 7 SECURING INACTIVE PANELS

Close the inactive panel (panel without door handle). Operate the flush bolts at the top and the bottom of the panel (indicated in picture) to sure the panel into position.



Step 8 SECURING ACTIVE PANELS

Close the active panel (panel with door handle). Lift handle upwards (indicated in picture) to draw the active panel hard up against the seals.

PLEASE NOTE: The Panel must be fitted prior to nailing door in place on any **Second Story**.