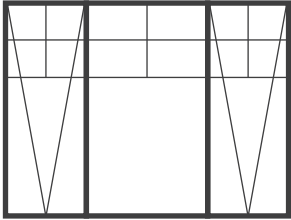
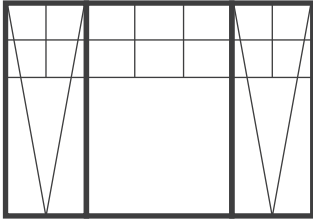
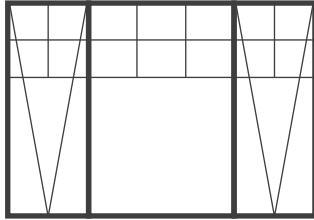
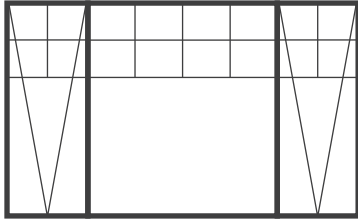
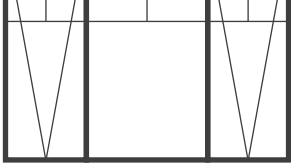
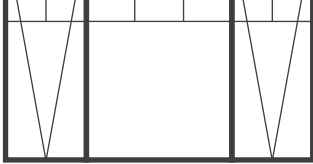
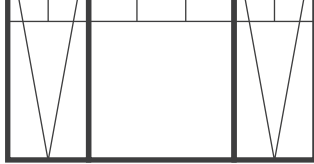
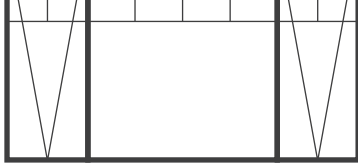






Boutique Georgian Awning Windows

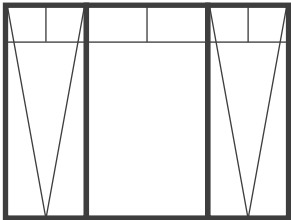
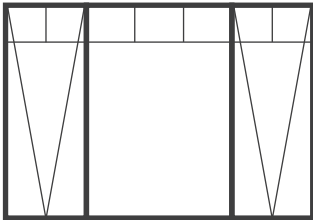
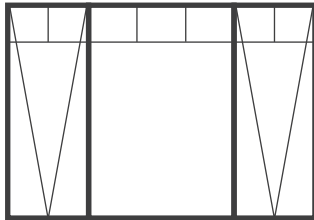
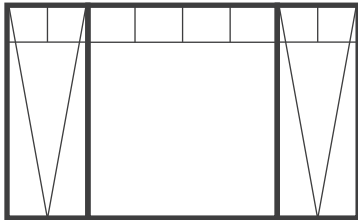
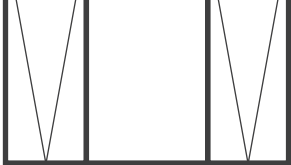
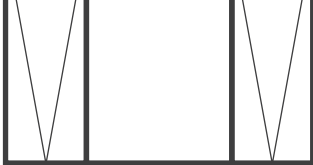
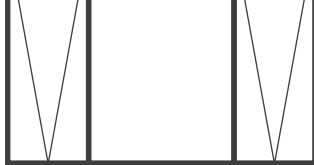





Lineage Collection - Newport Series

Code Prefix: WAAW Colonial Bar Pattern: Newport

Double

Size Code		18	21	24	27	30	36
	O/A Reveal Size (mm)	1800	2170	2410	2710	3010	3610
18	1800						
20	2057						
23	2315						

Single

Size Code		18	21	24	27	30	36
	O/A Reveal Size (mm)	1800	2170	2410	2710	3010	3610
18	1800						
20	2057						
23	2315						

Please Note: Visible glass area between bars can vary in size across the same product, depending on product type, size and configuration. Speak to your A&L sales representative to find out more.

Please Note: Size charts are provided as a guide only, images may not reflect the exact proportions of the product you specify. Images represent the external view of the product and refer to A&L's standard offering for N2 areas. Specific size limitations or alternative options may be applicable for other wind categories or account customer specific ranges. The A&L website Terms of Use apply to this document.