

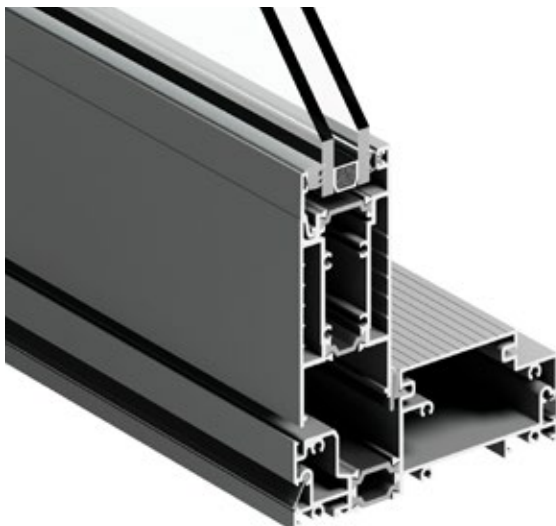
# ComfortSmart Ultra Hinged Doors

The ComfortSmart Ultra hinged door has a robust, energy-efficient thermally broken frame that is optimised to meet the needs of the building industry and reach the new rating requirements with ease. Equipped with brushed stainless-steel lift-off hinges for easy door adjustment during installation.



## Key features

- The ComfortSmart series maintains our unique inline reveal system for easy installation.
- Option for factory-fitted flashing to fully comply with the NCC requirements.
- Robust modern frame help achieve bigger doors and better acoustics.
- Available in single and double door configurations with open in, open out, side lite, high lite options.
- Brushed stainless steel lift off hinges that are easily adjustable during installation.
- Lever handle with multipoint locking for improved security.
- Double doors built with a mushroom stop that closes the clearance gap to create a weather seal between the panels.
- Flexible internal and external finishing options.
- High performance and energy-efficient double glazing prevents heat transfer between inside and outside, reduces energy bills and offers year round comfort.
- A range of glazing options to improve comfort, acoustics, security and privacy.



Thermally broken frames tick all the boxes when it comes to durability, design, flexibility, and energy performance.

# ComfortSmart Ultra Hinged Doors

## Specifications

Product	Hinged Doors
Product Series	ComfortSmart Ultra
Frame Profile	134mm x 53mm
Sill Options	Open in or open out
Max Frame	3000mm high (2370mm high is the standard size)
Max Panel	2620mm high x 1120mm wide
Sash Profile	Stiles – 90mm, rails – 100mm
Glazing	24mm Double glazing only
Bal Rating	BAL40
Seal Type	Vinyl wrapped foam seal
Colour Options	Black, White, Surfmist and Monument
Screen Options	Flyscreen and barrier screens
Hardware Options	Hinged door handle – Brushed Nickel Hinges – Brushed stainless steel
Installation Options	By builder
Warranty	10-year warranty

For full range of configurations and standard sizes refer to the standard size and range charts.

## Performance

Acoustic Performance	
Performance Criteria	Glass Type
RW31	Double glazing – 4/16Ar/4
RW35	Double glazing – 6.5 Vlam Hush/14Ar/4
RW35	Double glazing – 6.38 Lam/14Ar/4
RW34	Double glazing – 10.38 Lam/8Ar/6
RW32	Double glazing – 12.5 Vlam Hush/8Ar/4
Wind & Water Performance	
Performance Criteria	Rating
SLS	1200Pa
ULS	3000Pa
Water	200Pa
N rating	N4 corner
Thermal Performance	
Performance Criteria	Rating
Double glazed Uw range	2.0 – 3.1
Double glazed SHGC range	0.17 – 0.52



Durable stainless-steel lift off hinges supplied as standard allowing the door to be ad-justed vertically for ease of installation.

# ComfortSmart Ultra Hinged Doors

**A&L**  
WINDOWS | DOORS

## Hardware



Hinged door handle (inside)



Hinged door handle (outside)

## Screens



Aluminium screen fixed externally

# ComfortSmart Ultra Hinged Doors

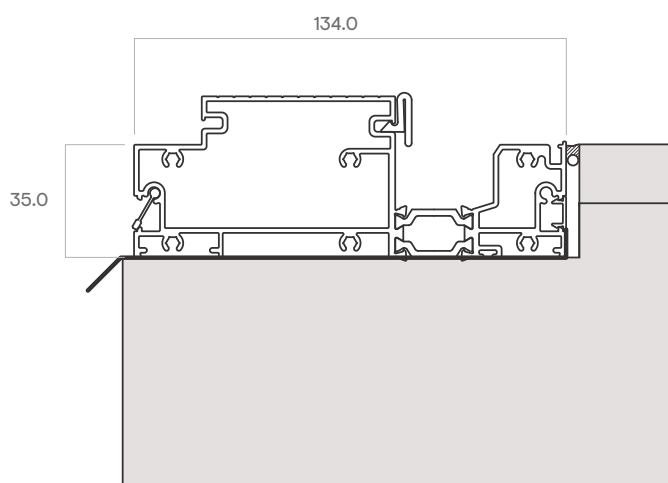
## Sill building in details

Hinge door open in sill

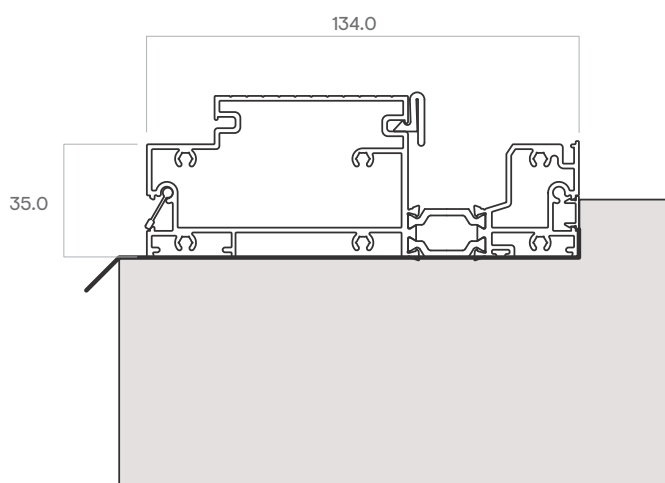


Flush threshold shown above.

Flush threshold



Standard threshold



Concrete cutout is the responsibility of the builder.

# ComfortSmart Ultra Hinged Doors

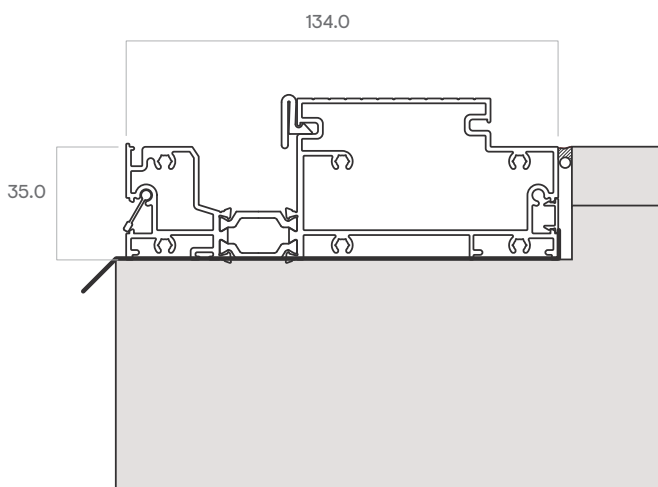
## Sill building in details

### Hinge door open out sill

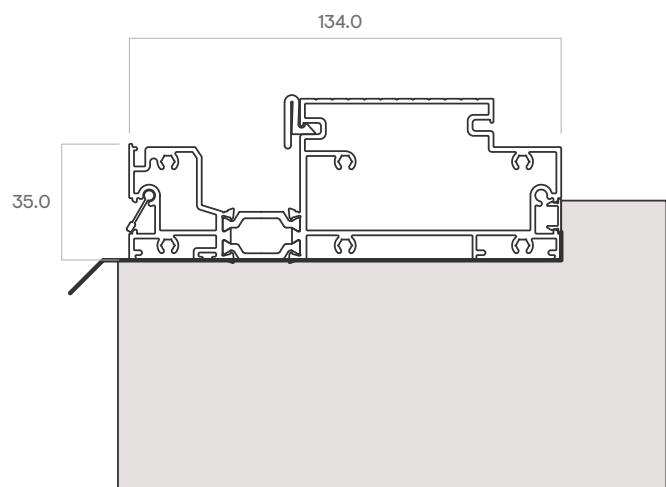


Flush threshold shown above.

### Flush threshold



### Standard threshold



Concrete cutout is the responsibility of the builder.